

9688 Hexsert

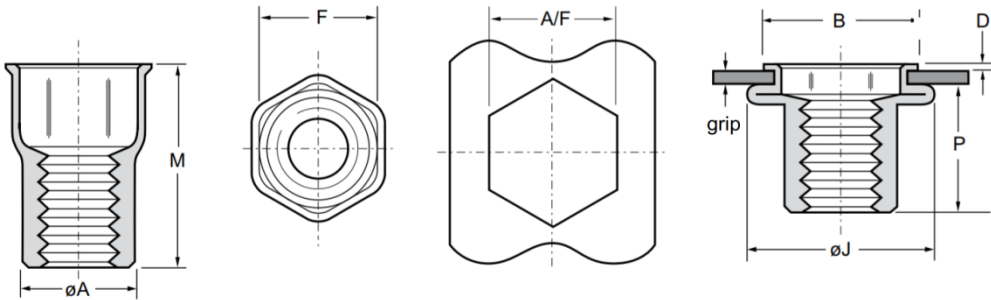
Steel · Low profile · Hexagonal · Open end
M3 - M8

Features

- Hexagonal section and bore improves torque-to-turn in components via form lock when compared to round and splined inserts
- Superior pull-out performance
- Double diameter body and lead-in chamfer provide easy insertion into hole
- Low profile head allows near flush fit to application

Material

- Low carbon steel, zinc plated, clear trivalent passivated, lubricated
(DIN EN 10263-2 Qst 34-3, BS EN/DIN 10263-2 C8C, Werkstoff 1.0213, SAE 1008)



Before Placement

After Placement

Part No.	Thread Size	Grip Range		A/F		øA	B	D	F	øJ	M	P	
		min.	max.	min.	max.	max.	max.	max.	max.	min.e	max.e	max.	max.
09688-70310	M3 x 0.5	0.70	1.63	4.80	4.85	4.72	6.10	0.45	4.81	6.90	6.40	9.02	5.40
09688-70413	M4 x 0.7	0.51	1.63	6.38	6.43	6.33	8.00	0.69	6.37	10.00	8.70	10.42	7.40
09688-70514	M5 x 0.8	0.51	2.03	7.32	7.37	7.14	9.22	0.72	7.26	12.20	10.70	11.82	7.20
09688-70619	M6 x 1.0	0.76	2.92	9.65	9.70	9.53	11.94	0.89	9.64	15.00	12.70	14.61	9.70
09688-70821	M8 x 1.25	0.91	3.25	10.70	10.80	10.50	12.96	0.89	10.67	16.60	14.30	16.00	10.50

Thread Size	Max. torque	Pull-out	Torque-to-turn	Push-out
	Nm max.	kN	Nm min.	kN
M3 x 0.5	1.5	2.9	1.0	0.8
M4 x 0.7	5.1	4.2	4.0	1.3
M5 x 0.8	7.9	5.9	6.6	1.9
M6 x 1.0	12.4	6.9	8.7	2.4
M8 x 1.25	16.4	14.8	11.8	2.8



Can't find what you are looking for?

We can provide unique and customized solutions.
Contact your nearest [Gripwell](#) team for assistance!